



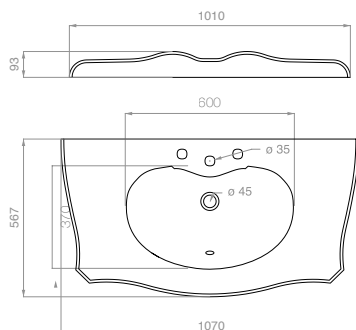
# YPSILON



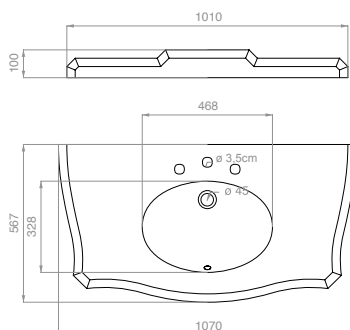
## CAMEO | VANITIES

A sinuous shape and perfect size for a vanity unit that combines beauty and functionality, harmony and pageantry. A handcrafted jewel in fine wood and leather, Cameo is available in the Capitonné and Matelassé versions. The countertop is available in marble or glass and the drawers, complete with soft-close runners, are fully lined with sumptuous velvets and passementerie, while the profile of Queen Elizabeth decorates the ring pulls. The undermount washbasin is available in black or white.

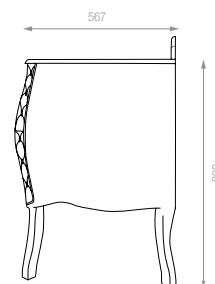
**TOP VIEW 1.**



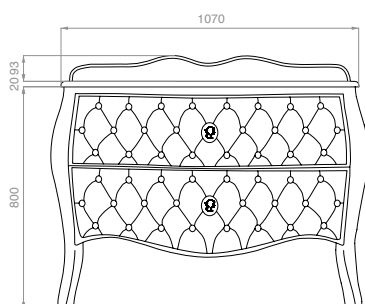
**TOP VIEW 2.**



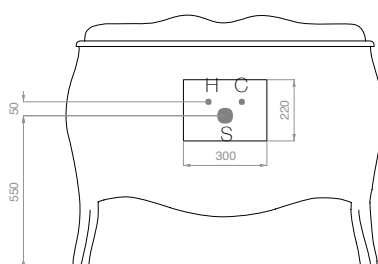
**SIDE VIEW**



**FRONT VIEW**



**DRAIN**



**EXTERIOR LINING  
of drawers**



matelassé leather



capitonné leather

**CAPTION**

H = acqua calda | hot water

C = acqua fredda | cold water

S = scarico | syphon